

Part number

MHV 10 L20



Hood, C-TYPE series, with 2 pegs, M20 top cable entry, size "57.27"

Product description

Product type	Hood
Series	C-TYPE
Closing type	With 2 pegs
Size	Size "57.27"
Cable entry	Top cable entry with adapter M20

Technical data

IP degree of protection IP65 / IP66 / IP69

Further technical details

Weight	133,00 g
Operating temperature range (min, max)	-40°C...+125°C

Material properties

Colour	RAL 7040 grey
RoHs conformity	Compliant
China RoHs - EFUP	E
REACH SVHC substances	No

Approvals / Standards

Certifications	DNV, BV
UL	ECBT2
cUL	ECBT8

General ordering information

EAN13 code	8015747055512
eCl@ss 8.1	27440202
ETIM 7.0	EC000437

Packaging Information

Packaging length	125,00 mm
Packaging height	110,00 mm
Packaging width	225,00 mm
Packaging weight	1,29 kg
Packaging volume	3,09 dm ³
Packaging description	Carton box
Packaging quantity	10 Pcs
Packaging EAN code	8015747055529
Sub-packaging weight	0,65 kg
Sub-packaging description	Plastic packaging
Sub-packaging quantity	5 Pcs
Sub-packaging EAN barcode	8015747055536

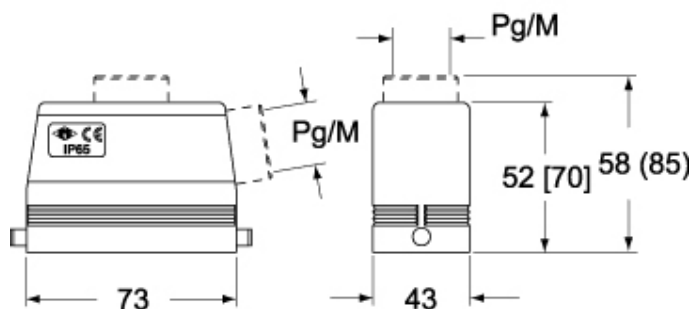
Part number

MHV 10 L20

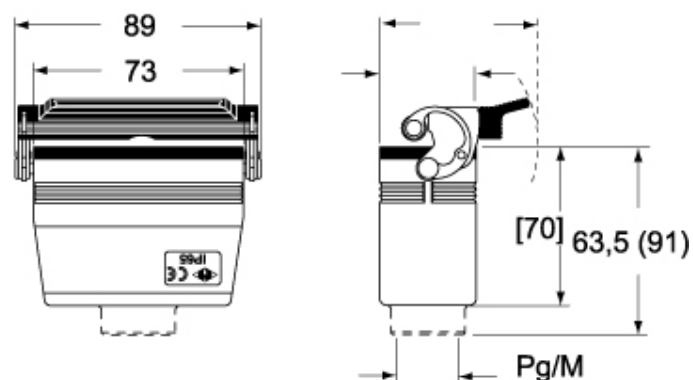


Catalogue drawings

CHO L (CAO) MHO L [MAO L]
CHV L [CAV L] MHV L (MAV L)



CHV L (CAV LG), MHV LG (MAV LG) [MFV LG]



Notes